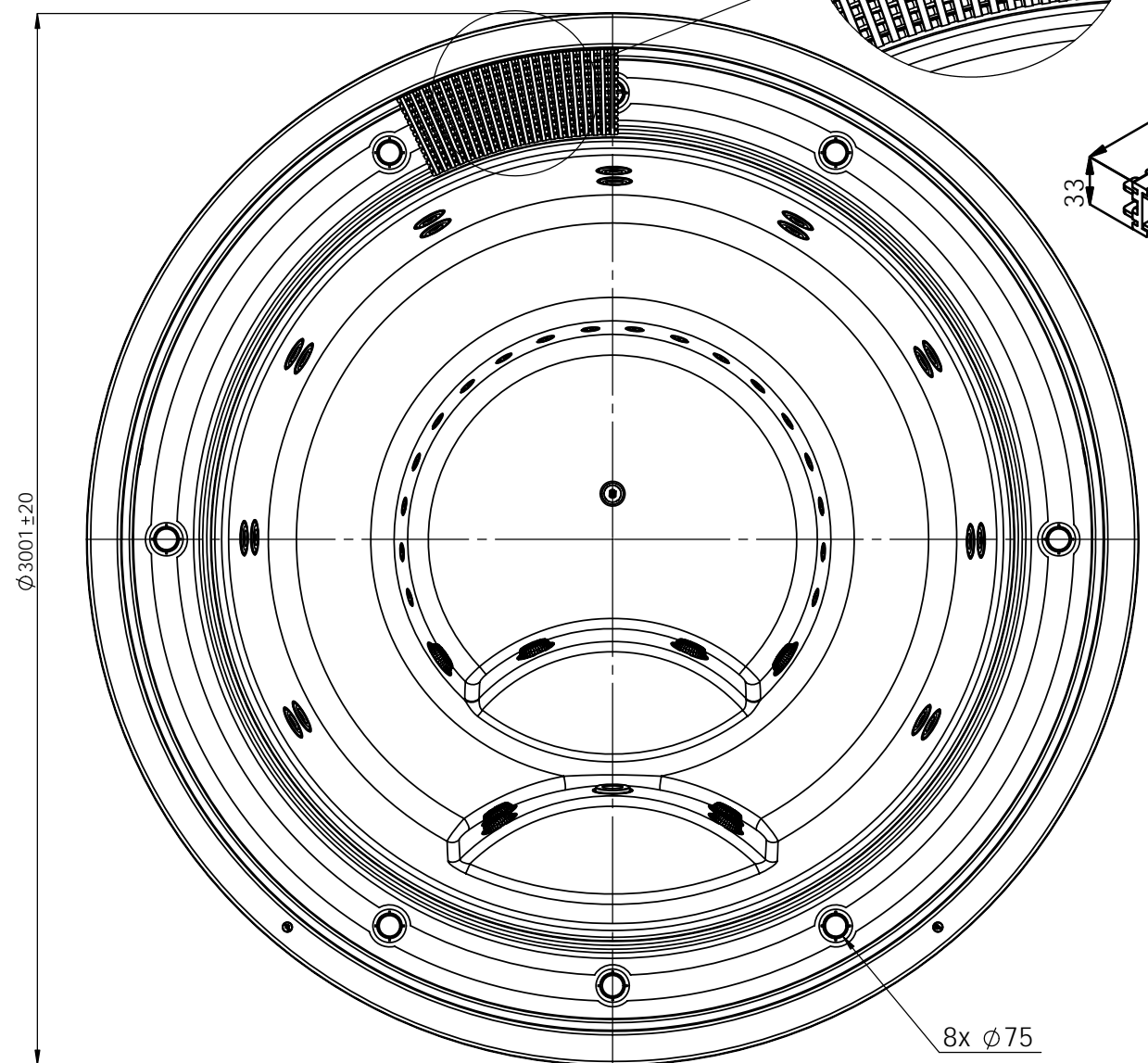
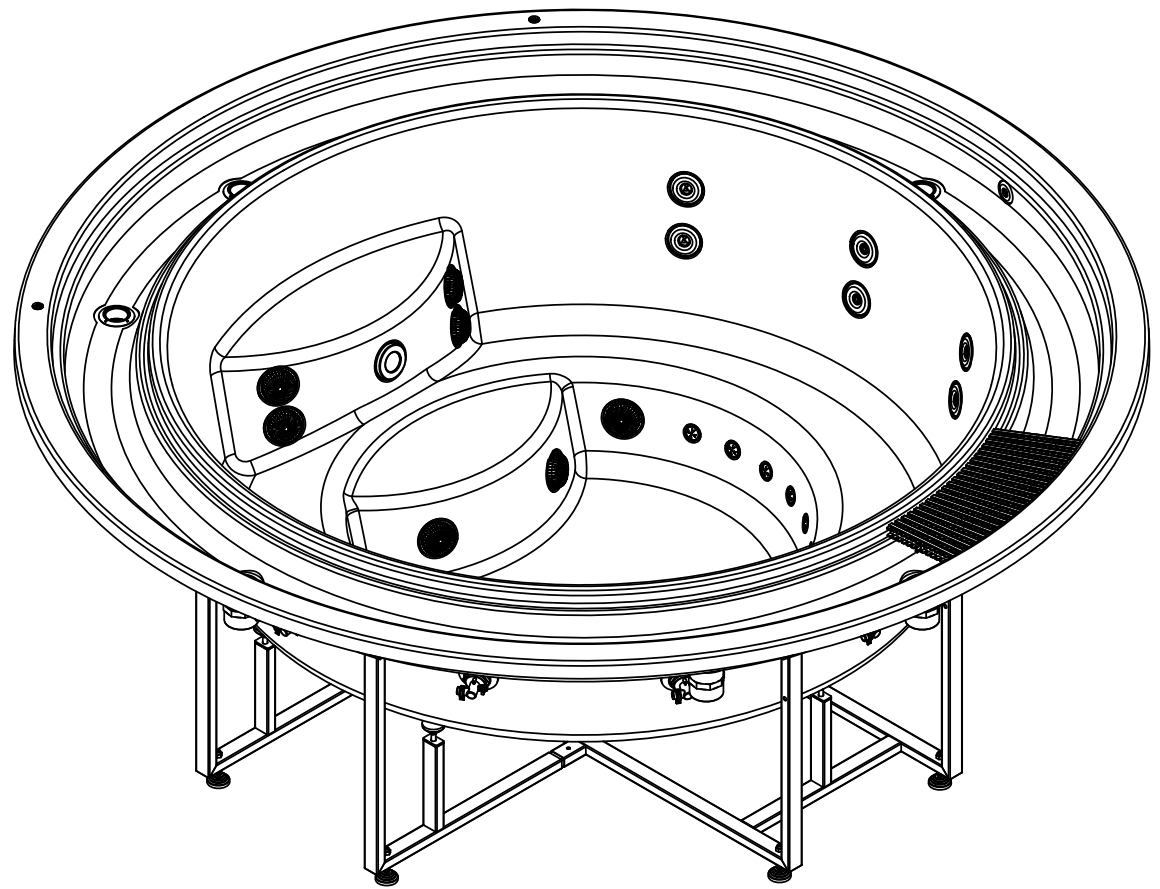



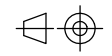
DETAIL GRID
SCALE 1:4



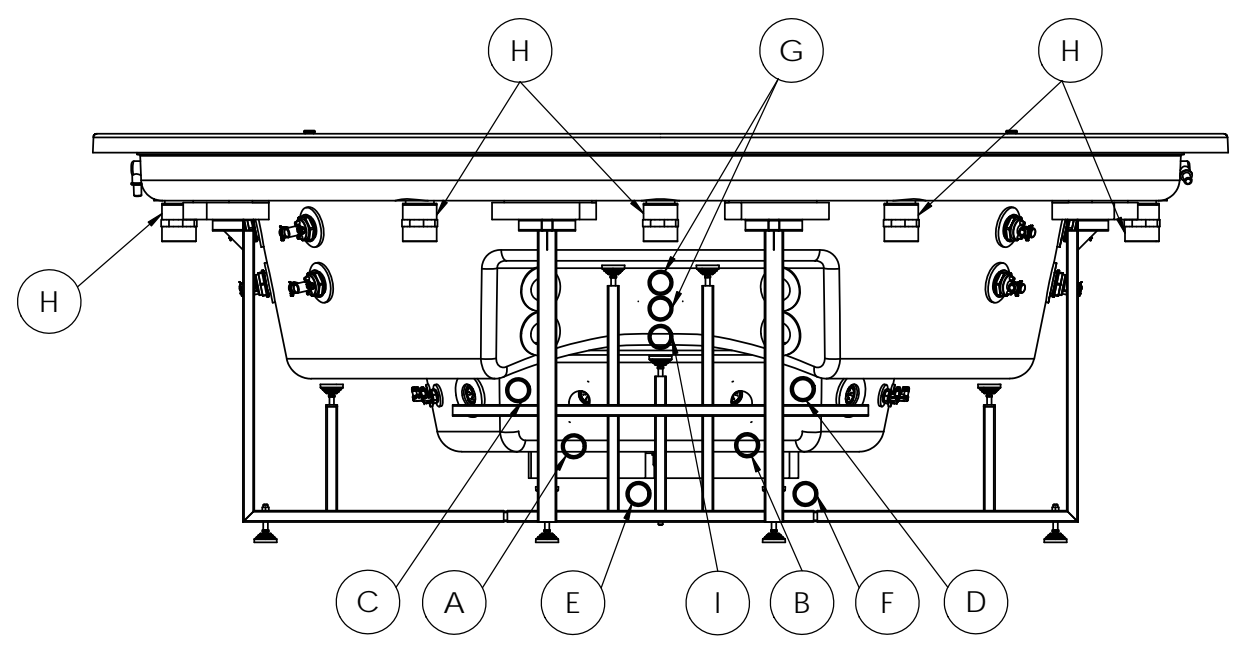
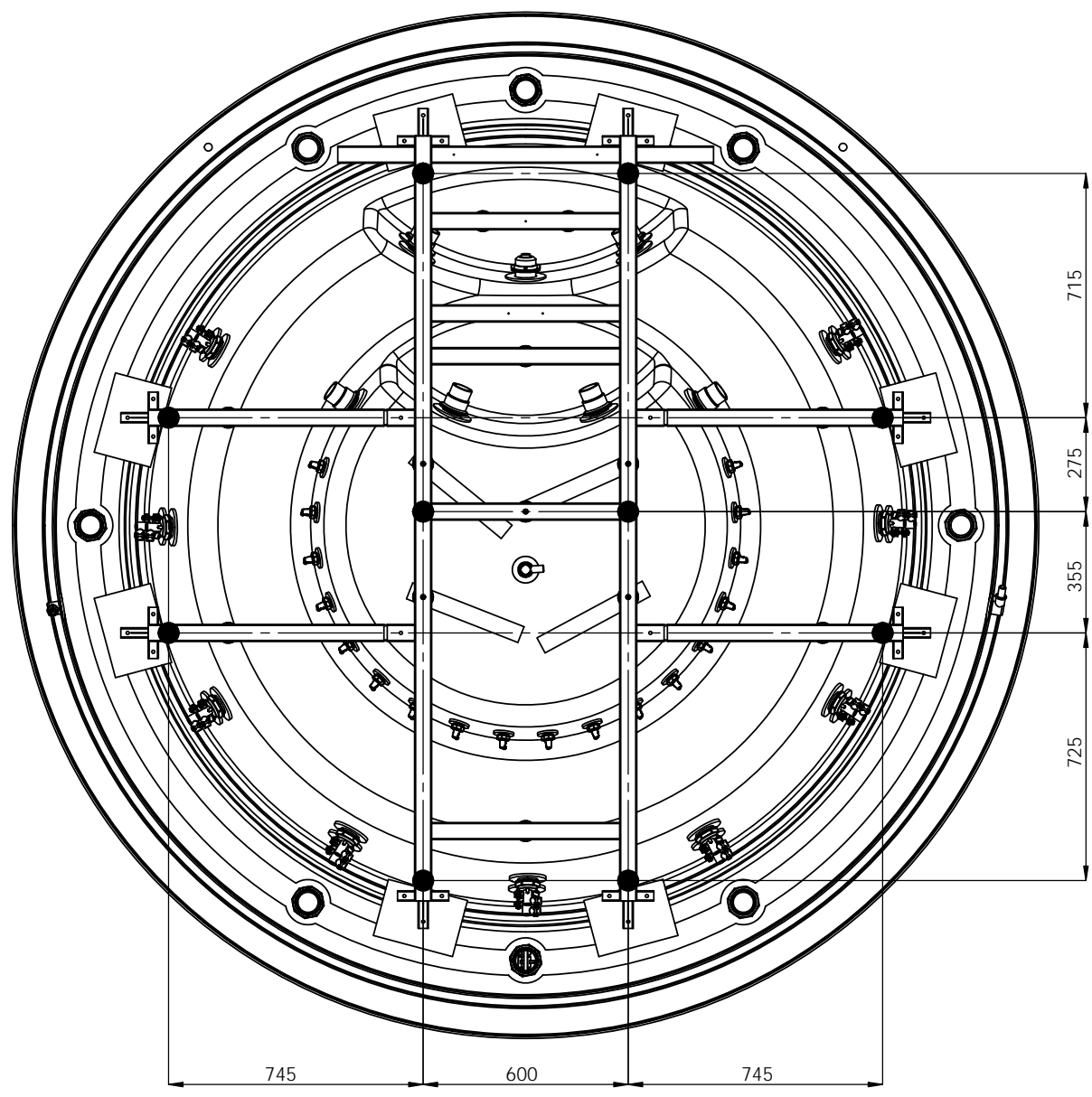
↑ ↑
HYDRAULIC CONNECTIONS ACCESS

According to our policy of continuous improvement, dimensions, features or components of this product can be partially or completely changed without prior notice. It's Customer responsibility to verify that this is the last version of the drawing

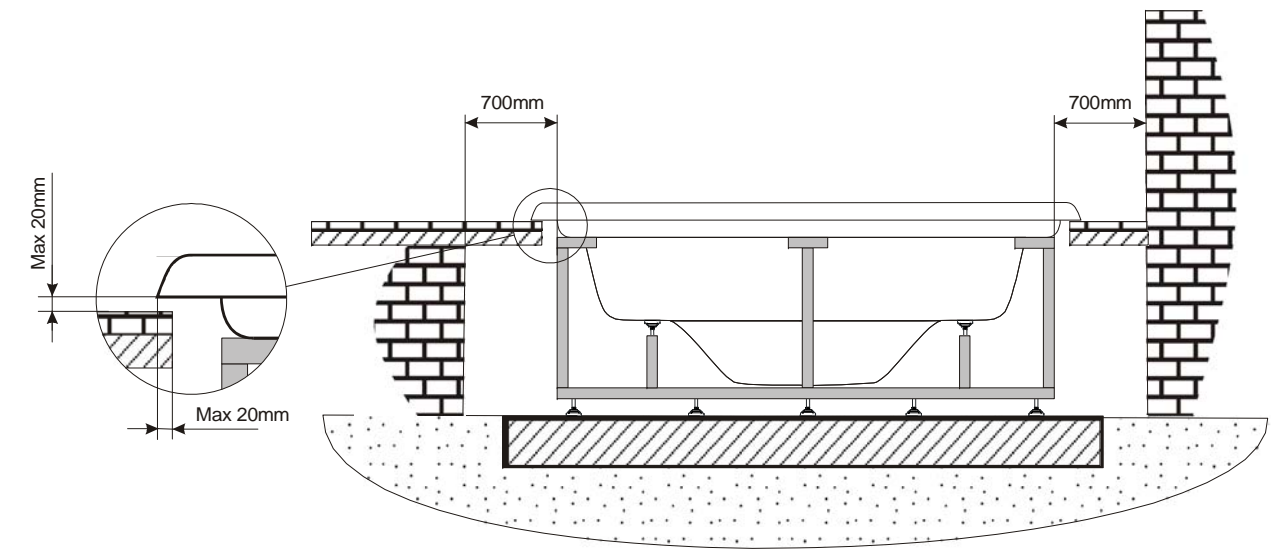
| Change No. | Date | Name | Modification |
|------------|----------|--------|------------------|
| 01 | 29/01/14 | I.Pozo | New Templates |
| 00 | 08/04/13 | I.Pozo | Drawing Creation |

| | | | | | |
|--|------------|--------------------|---|-------------|---|
| Remarks Dimensions in mm. General Tolerances +/- 10mm | | | COMMERCIAL | | |
| Drawn | 08/04/2013 | I.Pozo |  | Part Number | Rev. |
| Checked | - | I.Nicolas | | 57113 | 01 |
| Scale | 1:20 | General Tolerance | | | First Angle Projection |
| Sheet | 1/3 | DIN 7168 ISO 2768g | | |  |


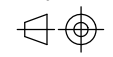
| | | |
|---|---|----------------------|
| A | Suction-Water Massage Pump 1 | Ø 63mm FEMALE THREAD |
| B | Return-Water Massage Pump 1 | Ø 63mm FEMALE THREAD |
| C | Return-Air Massage | Ø 63mm FEMALE THREAD |
| D | Suction/Return-Filtration Pump Bottom Spa | Ø 63mm FEMALE THREAD |
| E | Return-Filtration Pump Inlets | Ø 63mm FEMALE THREAD |
| F | Suction/Return-Filtration Pump Bottom Spa | Ø 63mm FEMALE THREAD |
| G | Return-Filtration Pump Inlets | Ø 63mm FEMALE THREAD |
| H | Overflow Drains (8x) | Ø 75mm FEMALE SOCKET |
| I | Light (Optional) | Optional |

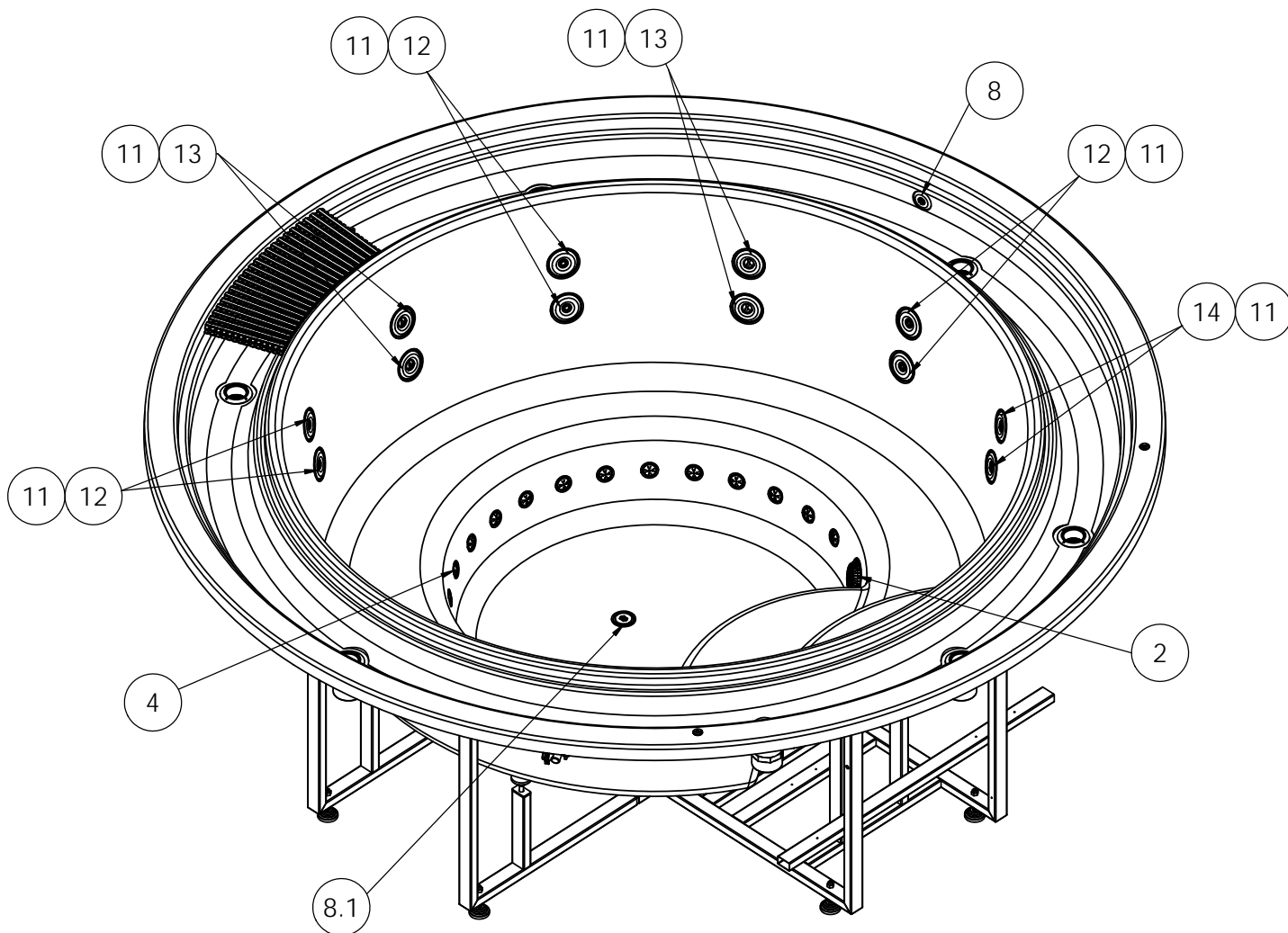
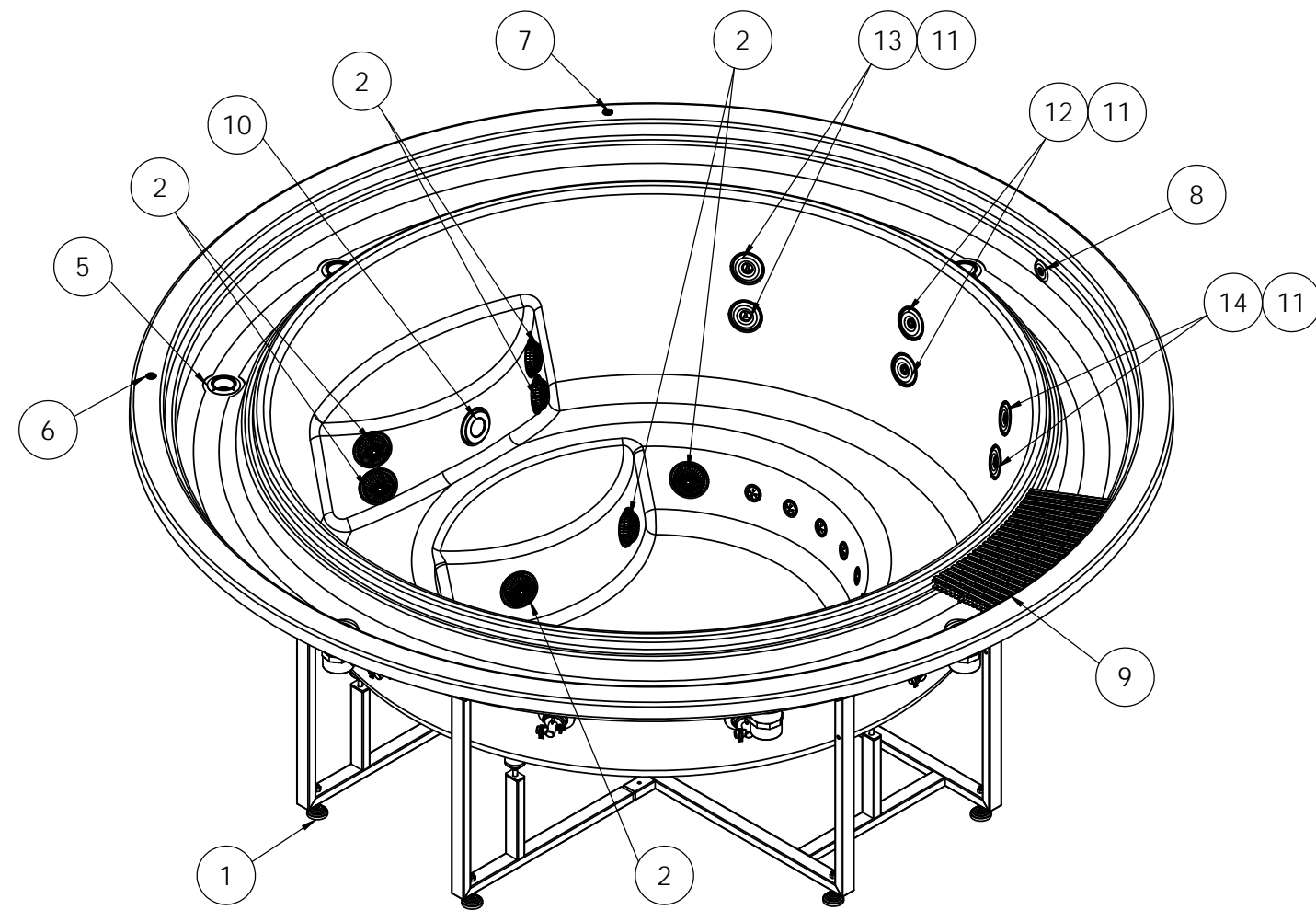


WARNING:
It's essential to keep a minimum clearance access of **700mm** all around.



According to our policy of continuous improvement, dimensions, features or components of this product can be partially or completely changed without prior notice.
It's Customer responsibility to verify that this is the last version of the drawing

| 01 | 29/01/14 | I.Pozo | New Templates |
|---|--------------------------------------|-----------|---|
| 00 | 08/04/13 | I.Pozo | Drawing Creation |
| Change No. | Date | Name | Modification |
| Remarks | | | COMMERCIAL |
| Dimensions in mm. General Tolerances +/- 10mm | | | |
| Drawn | 08/04/2013 | I.Pozo |  |
| Checked | -- | I.Nicolas | |
| Scale 1:20 | General Tolerance DIN 7168 ISO 2768g | | |
| Sheet 2/3 | | | Part Number |
| | | | 57113 |
| | | | Rev. |
| | | | 01 |
| | | | First Angle Projection |
| | | |  |
| Property of IBERSPA S.L. Avda. Pla d'Urgell 2-8 25200 Cervera, Spain. Don't use without permission. Keep this information confidential and use it solely for the permitted purpose. | | | |



| STAINLESS STEEL JET + COLOUR LIGHT | | | |
|------------------------------------|---------------|--|--------|
| Position Num. | Part Nº SPARE | Description SPARE | Quant. |
| 1 | 303325R | SPA SUPPORT | 23 |
| 2 | RPOR0275 | SS SPA DRAIN 2" ADAPTOR SOCKET D.50 | 8 |
| 4 | REMP0046 | WHITE-STAINLESS STEEL AIR NOZZLE | 18 |
| 5 | REMP0051 | WHITE SPA DRAIN 2 1/2" | 8 |
| 6 | REMP0034 | DIGITAL BUTTON IP68 ALUM. AIR | 1 |
| 7 | REMP0033 | DIGITAL BUTTON IP68 ALUM. WATER | 1 |
| 8 | RPOR0001 | WHITE DRAIN SET 1/2" | 2 |
| 8.1 | RPOR0277 | INTERNAL SS DRAINPIPE | 1 |
| 9 | REMP0041 | CURVED GRATING WIDTH 245 mm | 440 |
| 10 | RCOM0063 | HIGH INTENSITY COLOURS LED SPOTLIGHTS + STEEL ESCUTCHEON SPOTLIGHT | 1 |
| 11 | RPOR0236 | JET BODY SET RD 3" | 18 |
| 12 | RPOR0231 | FRONTAL JET 3" STAINLESS STEEL DIRECTIONAL | 8 |
| 13 | RPOR0232 | FRONTAL JET 3" STAINLESS STEEL 1 JET ROTO | 6 |
| 14 | RPOR0233 | FRONTAL JET 3" STAINLESS STEEL TWIN ROTO | 4 |

According to our policy of continuous improvement, dimensions, features or components of this product can be partially or completely changed without prior notice. It's Customer responsibility to verify that this is the last version of the drawing

| | | | |
|---|--------------------|------------------------|------------------|
| 01 | 29/01/14 | I.Pozo | New Templates |
| 00 | 08/04/13 | I.Pozo | Drawing Creation |
| Change No. | Date | Name | Modification |
| Remarks | | | SPARE DRAWING |
| Dimensions in mm. General Tolerances +/- 10mm | | | |
| Drawn | 08/04/2013 | I.Pozo | |
| Checked | - | I.Nicolas | |
| Scale 1:20 | General Tolerance | | |
| Sheet 3/3 | DIN 7168 ISO 2768g | | |
| | | Part Number | Rev. |
| | | 57113 | 01 |
| | | First Angle Projection | |